

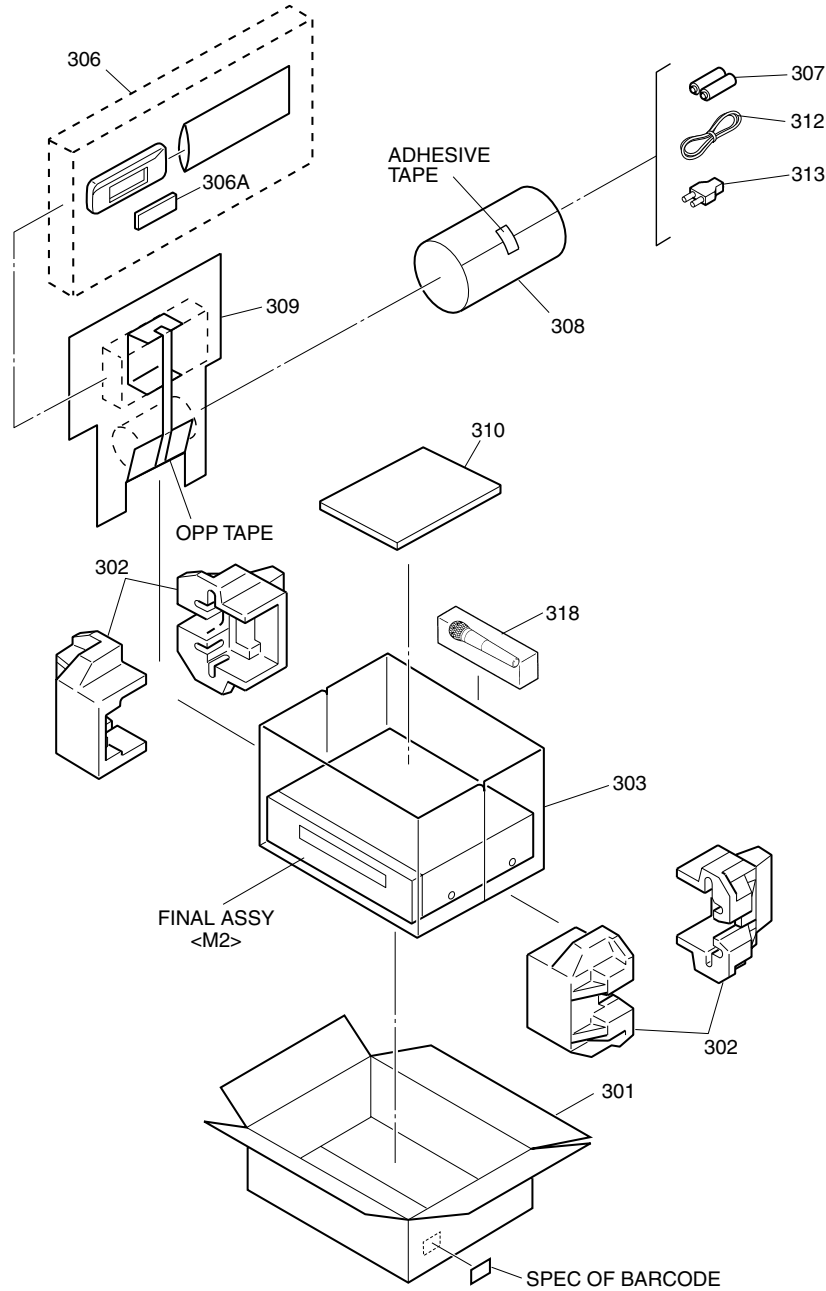
SECTION 5 PARTS LIST

SAFETY PRECAUTION

Parts identified by the \triangle symbol are critical for safety. Replace only with specified part numbers.

5.1 PACKING AND ACCESSORY ASSEMBLY <M1>

The instruction manual to be provided with this product will differ according to the destination.



# \triangle REF No.	PART No.	PART NAME, DESCRIPTION	# \triangle REF No.	PART No.	PART NAME, DESCRIPTION

PACKING AND ACCESSORY ASSEMBLY <M1>					
301	LP30483-008B	PACKING CASE	307	-	BATTERY,X2("R6"TYPE)
302	LP30700-001A	CUSHION ASSY	308	QPC02202230P	POLY BAG
303	PQM30021-92	POLY BAG	309	PQ35575-1-1	SHEET(REMOTE CONTROLLER)
306	LP30767-001A	REMOTE CONTROLLER	\triangle 310	LPT0458-001A	INST.BOOK(EN)
306A	LP40689-001A	COVER(BATTERY)	\triangle 310	LPT0458-002A	INST.BOOK(RU)
			\triangle 310	LPT0458-003A	INST.BOOK(AR)
			312	PEAC0348-02	RF CABLE
			\triangle 313	PEMC1012	CONVERSION PLUG
			318	PEAC0395-04-01	WIRED MIC(Microphone)

5.2 ELECTRICAL PARTS LIST

#	△ REF No.	PART No.	PART NAME, DESCRIPTION

MAIN BOARD ASSEMBLY <03>			
PW1		LPA10124-05C1	MAIN BOARD ASSY
IC1		JCP8020-MSD-2	IC
IC2301		BA3308	IC
IC2401		M51523AL	IC
IC2402		BU9253FS	IC
IC2404		BA15218F-XE	IC
IC2405		BA15218F-XE	IC
IC2471		BA15218F-XE	IC
IC2472		BA10393F	IC
IC3001		MN101D02GAC	IC
IC3002		BA6956AN	IC
IC3004		S-24C02ADP	IC
		or 24LC02B/P	IC
		or BR24C02	IC
		or M24C02-BN6	IC
		or AT24C02-10PC	IC
IC5301		L5431	IC
		or MM1431AT	IC
IC7002		GP1U291Q	IR DETECT UNIT
		or PIC-28143LJ	IR DETECT UNIT
		or PNA4652M00YC	IR DETECT UNIT
Q1		2SC4081/QRS/-X	TRANSISTOR
Q2		2SC4081/QRS/-X	TRANSISTOR
Q3		2SC4081/QRS/-X	TRANSISTOR
Q4		2SC4081/QRS/-X	TRANSISTOR
Q12		2SA1576A/QR/-X	TRANSISTOR
		or 2PA1576/R/-X	TRANSISTOR
		or 2SB1218A/QR/-X	TRANSISTOR
Q22		2SC4081/QRS/-X	TRANSISTOR
		or 2PC4081/R/-X	TRANSISTOR
		or 2SD1819A/QRS/-X	TRANSISTOR
Q38		2SC4081/QRS/-X	TRANSISTOR
		or 2SD1819A/QRS/-X	TRANSISTOR
		or 2PC4081/R/-X	TRANSISTOR
Q202		2SC4081/QRS/-X	TRANSISTOR
Q901		2SA1576A/QRS/-X	TRANSISTOR
		or 2PA1576/R/-X	TRANSISTOR
Q2001		2SC4081/QRS/-X	TRANSISTOR
		or 2SD1819A/QRS/-X	TRANSISTOR
		or 2PC4081/R/-X	TRANSISTOR
Q2002		2SC4081/QRS/-X	TRANSISTOR
		or 2PC4081/R/-X	TRANSISTOR
		or 2SD1819A/QRS/-X	TRANSISTOR
Q2003		DTA144WU	TRANSISTOR
		or PDA144WU	TRANSISTOR
		or RN2309	TRANSISTOR
		or UN511E	TRANSISTOR
Q2051		2SC4081/QRS/-X	TRANSISTOR
		or 2SD1819A/QRS/-X	TRANSISTOR
		or 2PC4081/R/-X	TRANSISTOR
Q2052		2SA1576A/QR/-X	TRANSISTOR
		or 2PA1576/R/-X	TRANSISTOR
		or 2SB1218A/QR/-X	TRANSISTOR
Q2053		DTC144WU	TRANSISTOR
		or RN1309	TRANSISTOR
		or UN521E	TRANSISTOR
Q2054		2SA1576A/QR/-X	TRANSISTOR

#	△ REF No.	PART No.	PART NAME, DESCRIPTION
		or 2PA1576/R/-X	TRANSISTOR
		or 2SB1218A/QR/-X	TRANSISTOR
Q2055		DTC144WU	TRANSISTOR
		or RN1309	TRANSISTOR
		or UN521E	TRANSISTOR
Q2101		DTC114TU	TRANSISTOR
Q2251		DTA144WU	TRANSISTOR
		or PDA144WU	TRANSISTOR
		or RN2309	TRANSISTOR
		or UN511E	TRANSISTOR
Q2252		DTC114EU	TRANSISTOR
		or PDC114EU	TRANSISTOR
		or RN1302	TRANSISTOR
		or UN5211	TRANSISTOR
Q2401		2SC4081/QRS/-X	TRANSISTOR
		or 2SD1819A/QRS/-X	TRANSISTOR
		or 2PC4081/R/-X	TRANSISTOR
Q2402		DTA114EU	TRANSISTOR
Q2403		2SC4081/QRS/-X	TRANSISTOR
		or 2SD1819A/QRS/-X	TRANSISTOR
		or 2PC4081/R/-X	TRANSISTOR
Q3001		PTZ-NV16A	PHOTO TRANSISTOR
Q3002		PTZ-NV16A	PHOTO TRANSISTOR
Q3003		2SC4081/QRS/-X	TRANSISTOR
Q3013		DTC143EU	TRANSISTOR
Q3014		DTC143EU	TRANSISTOR
Q3015		2SC4081/QRS/-X	TRANSISTOR
Q3016		2SC4081/QRS/-X	TRANSISTOR
Q4001		DTC114EU	TRANSISTOR
		or PDC114EU	TRANSISTOR
		or RN1302	TRANSISTOR
		or UN5211	TRANSISTOR
Q4002		2SD1819A/QRS/-X	TRANSISTOR
		or 2SC4081/QRS/-X	TRANSISTOR
		or 2PC4081/R/-X	TRANSISTOR
Q5101		2SK2632-CB14	POWER MOS FET
		or 2SK2632	POWER MOS FET
		or 2SK2129	POWER MOS FET
		or 2SK2129-LT	POWER MOS FET
Q5102		2SD2144S/UV/-T	TRANSISTOR
Q5302		2SD2375/QP/	TRANSISTOR
Q5303		2SD1819A/RS/-X	TRANSISTOR
		or 2PC4081/R/-X	TRANSISTOR
		or 2SC4081/RS/-X	TRANSISTOR
Q5304		2SC3616/ML/-T	TRANSISTOR
Q5305		DTA114EU	TRANSISTOR
		or PDA114EU	TRANSISTOR
		or RN2302	TRANSISTOR
		or UN5111	TRANSISTOR
Q5306		DTC114EU	TRANSISTOR
		or PDC114EU	TRANSISTOR
		or RN1302	TRANSISTOR
		or UN5211	TRANSISTOR
D2202		MTZJ9.1B	ZENER DIODE
D2401		MTZJ10B	ZENER DIODE
D2402		1A3G	DIODE
		11ES2	DIODE
D3001		LNB2301L01VI	LE DIODE
D3002		1SS133	DIODE
		or 1SS270A	DIODE
D3004		11ES2	DIODE

#	△	REF No.	PART No.	PART NAME, DESCRIPTION		#	△	REF No.	PART No.	PART NAME, DESCRIPTION	
			or 1A3G	DIODE		R22		NRSA02J-102X	MG RESISTOR		1kΩ,1/10W
D3007			RD3.9ES/B2/-T2	ZENER DIODE		R37		NRSA02J-0R0X	MG RESISTOR		0Ω,1/10W
			or MTZJ3.9B	ZENER DIODE		R42		NRSA02J-681X	MG RESISTOR		680Ω,1/10W
D4003			1SS133	DIODE		R44		NRSA02J-822X	MG RESISTOR		8.2kΩ,1/10W
D5001			S1WB/A/60-4102	BRIDGE DIODE		R45		NRSA02J-103X	MG RESISTOR		10kΩ,1/10W
			or S1WB/A/60-X	BRIDGE DIODE		R46		NRSA02J-331X	MG RESISTOR		330Ω,1/10W
			or S1WB(A)60F4072X	BRIDGE DIODE		R49		NRSA02J-561X	MG RESISTOR		560Ω,1/10W
D5101			AU01	FR DIODE		R77		NRSA02J-103X	MG RESISTOR		10kΩ,1/10W
			or ERA18-04-T2	FR DIODE		R90		NRSA02J-391X	MG RESISTOR		390Ω,1/10W
			or 10ELS4	FR DIODE		R92		NRSA02J-152X	MG RESISTOR		1.5kΩ,1/10W
			or 1SR153-400-T2	FR DIODE		R93		NRSA02J-222X	MG RESISTOR		2.2kΩ,1/10W
D5102			AU01	FR DIODE		R95		NRSA02J-472X	MG RESISTOR		4.7kΩ,1/10W
			or ERA18-04-T2	FR DIODE		R104		NRSA02J-682X	MG RESISTOR		6.8kΩ,1/10W
			or 1SR153-400-T2	FR DIODE		R201		NRSA02J-332X	MG RESISTOR		3.3kΩ,1/10W
			or 10ELS4	FR DIODE		R202		NRSA02J-222X	MG RESISTOR		2.2kΩ,1/10W
D5103			1SS133	DIODE		R203		NRSA02J-101X	MG RESISTOR		100Ω,1/10W
			or 1SS270A	DIODE		R204		NRSA02J-101X	MG RESISTOR		100Ω,1/10W
D5105			1SS133	DIODE		R210		NRSA02J-332X	MG RESISTOR		3.3kΩ,1/10W
			or 1SS270A	DIODE		R211		NRSA02J-0R0X	MG RESISTOR		0Ω,1/10W
D5203			AU01Z	FR DIODE		R901		NRSA02J-750X	MG RESISTOR		75Ω,1/10W
			or ERA18-02-T2	FR DIODE		R904		QRE121J-331Y	RESISTOR		330Ω,1/2W
			or PG104RS	FR DIODE		R905		NRSA02J-101X	MG RESISTOR		100Ω,1/10W
			or 1SR153-400-T2	FR DIODE		R911		NRSA02J-750X	MG RESISTOR		75Ω,1/10W
			or 10ELS2	FR DIODE		R2003		NRSA02J-101X	MG RESISTOR		100Ω,1/10W
D5204			AU01Z	FR DIODE		R2004		NRSA02J-332X	MG RESISTOR		3.3kΩ,1/10W
			or ERA18-02-T2	FR DIODE		R2007		NRSA02J-393X	MG RESISTOR		39kΩ,1/10W
			or 1SR153-400-T2	FR DIODE		R2010		NRSA02J-123X	MG RESISTOR		12kΩ,1/10W
			or PG104RS	FR DIODE		R2012		NRSA02J-153X	MG RESISTOR		15kΩ,1/10W
			or 10ELS2	FR DIODE		R2013		NRSA02J-682X	MG RESISTOR		6.8kΩ,1/10W
D5207			AK04	DIODE		R2014		NRSA02J-224X	MG RESISTOR		220kΩ,1/10W
			or 1S4	SB DIODE		R2015		NRSA02J-151X	MG RESISTOR		150Ω,1/10W
			or 11EQS04	SB DIODE		R2016		NRSA02J-473X	MG RESISTOR		47kΩ,1/10W
D5210			AU01Z	FR DIODE		R2017		NRSA02J-183X	MG RESISTOR		18kΩ,1/10W
			or ERA18-02-T2	FR DIODE		R2018		NRSA02J-472X	MG RESISTOR		4.7kΩ,1/10W
			or PG104RS	FR DIODE		R2019		NRSA02J-472X	MG RESISTOR		4.7kΩ,1/10W
			or 10ELS2	FR DIODE		R2053		NRSA02J-682X	MG RESISTOR		6.8kΩ,1/10W
			or 1SR153-400-T2	FR DIODE		R2054		NRSA02J-123X	MG RESISTOR		12kΩ,1/10W
D5211			AU01Z	FR DIODE		R2055		NRSA02J-3R3X	MG RESISTOR		3.3Ω,1/10W
			or PG104RS	FR DIODE		R2056		NRSA02J-820X	MG RESISTOR		82Ω,1/10W
			or 1SR153-400-T2	FR DIODE		R2057		NRSA02J-473X	MG RESISTOR		47kΩ,1/10W
			or 10ELS2	FR DIODE		R2058		NRSA02J-183X	MG RESISTOR		18kΩ,1/10W
			or ERA18-02-T2	FR DIODE		R2059		NRSA02J-473X	MG RESISTOR		47kΩ,1/10W
D5301			MTZJ15A	ZENER DIODE		R2060		NRSA02J-183X	MG RESISTOR		18kΩ,1/10W
			or RD15ES/B1/-T2	ZENER DIODE		R2101		NRSA02J-102X	MG RESISTOR		1kΩ,1/10W
D5303			RD5.1JS/B2/-T2	ZENER DIODE		R2201		NRSA02J-680X	MG RESISTOR		68Ω,1/10W
			or MA4051N/M/-T2	ZENER DIODE		R2206		NRSA02J-101X	MG RESISTOR		100Ω,1/10W
D5304			1SS133	DIODE		R2207		NRSA02J-332X	MG RESISTOR		3.3kΩ,1/10W
			or 1SS270A	DIODE		R2219		NRSA02J-393X	MG RESISTOR		39kΩ,1/10W
D5305			11ES2	DIODE		R2224		NRSA02J-123X	MG RESISTOR		12kΩ,1/10W
			or 1A3G	DIODE		R2232		NRSA02J-680X	MG RESISTOR		68Ω,1/10W
			or ERA15-02-T2	DIODE		R2251		NRSA02J-102X	MG RESISTOR		1kΩ,1/10W
D6050			HZ30-2L-T2	ZENER DIODE		R2301		NRSA02J-472X	MG RESISTOR		4.7kΩ,1/10W
			or HZ30-2LTD	Z DIODE (M)		R2302		NRSA02J-472X	MG RESISTOR		4.7kΩ,1/10W
R1			NRSA02J-682X	MG RESISTOR		R2303		NRSA02J-472X	MG RESISTOR		4.7kΩ,1/10W
R2			NRSA02J-152X	MG RESISTOR		R2304		NRSA02J-472X	MG RESISTOR		4.7kΩ,1/10W
R3			NRSA02J-822X	MG RESISTOR		R2305		NRSA02J-473X	MG RESISTOR		47kΩ,1/10W
R6			NRSA02J-273X	MG RESISTOR		R2306		NRSA02J-271X	MG RESISTOR		270Ω,1/10W
R7			NRSA02J-681X	MG RESISTOR		R2307		NRSA02J-105X	MG RESISTOR		1MΩ,1/10W
R8			NRSA02J-0R0X	MG RESISTOR		R2308		NRSA02J-473X	MG RESISTOR		47kΩ,1/10W
R9			NRSA02J-0R0X	MG RESISTOR		R2309		NRSA02J-271X	MG RESISTOR		270Ω,1/10W
R21			NRSA02J-102X	MG RESISTOR		R2311		NRSA02J-222X	MG RESISTOR		2.2kΩ,1/10W

#	△ REF No.	PART No.	PART NAME, DESCRIPTION	#	△ REF No.	PART No.	PART NAME, DESCRIPTION
R2312		NRSA02J-222X	MG RESISTOR 2.2kΩ,1/10W	R3057		NRSA02J-0R0X	MG RESISTOR 0Ω,1/10W
R2401		NRSA02J-473X	MG RESISTOR 47kΩ,1/10W	R3201		NRSA02J-103X	MG RESISTOR 10kΩ,1/10W
R2402		NRSA02J-473X	MG RESISTOR 47kΩ,1/10W	R3202		NRSA02J-472X	MG RESISTOR 4.7kΩ,1/10W
R2403		NRSA02J-101X	MG RESISTOR 100Ω,1/10W	R3203		NRSA02J-103X	MG RESISTOR 10kΩ,1/10W
R2404		NRSA02J-393X	MG RESISTOR 39kΩ,1/10W	R3204		NRSA02J-222X	MG RESISTOR 2.2kΩ,1/10W
R2405		NRSA02J-223X	MG RESISTOR 22kΩ,1/10W	R3205		NRSA02J-562X	MG RESISTOR 5.6kΩ,1/10W
R2406		NRSA02J-103X	MG RESISTOR 10kΩ,1/10W	R3206		NRSA02J-103X	MG RESISTOR 10kΩ,1/10W
R2407		NRSA02J-822X	MG RESISTOR 8.2kΩ,1/10W	R3207		NRSA02J-103X	MG RESISTOR 10kΩ,1/10W
R2408		NRSA02J-223X	MG RESISTOR 22kΩ,1/10W	R3208		NRSA02J-103X	MG RESISTOR 10kΩ,1/10W
R2409		NRSA02J-183X	MG RESISTOR 18kΩ,1/10W	R3209		NRSA02J-181X	MG RESISTOR 180Ω,1/10W
R2410		NRSA02J-103X	MG RESISTOR 10kΩ,1/10W	R3210		NRSA02J-183X	MG RESISTOR 18kΩ,1/10W
R2411		NRSA02J-472X	MG RESISTOR 4.7kΩ,1/10W	R3211		NRSA02J-183X	MG RESISTOR 18kΩ,1/10W
R2412		NRSA02J-153X	MG RESISTOR 15kΩ,1/10W	R3212		NRSA02J-181X	MG RESISTOR 180Ω,1/10W
R2413		NRSA02J-102X	MG RESISTOR 1kΩ,1/10W	R3213		NRSA02J-273X	MG RESISTOR 27kΩ,1/10W
R2414		NRSA02J-102X	MG RESISTOR 1kΩ,1/10W	R3214		NRSA02J-181X	MG RESISTOR 180Ω,1/10W
R2415		NRSA02J-102X	MG RESISTOR 1kΩ,1/10W	R3215		NRSA02J-273X	MG RESISTOR 27kΩ,1/10W
R2417		NRSA02J-222X	MG RESISTOR 2.2kΩ,1/10W	R3216		NRSA02J-474X	MG RESISTOR 470kΩ,1/10W
R2418		NRSA02J-222X	MG RESISTOR 2.2kΩ,1/10W	R3217		NRSA02J-334X	MG RESISTOR 330kΩ,1/10W
R2419		NRSA02J-222X	MG RESISTOR 2.2kΩ,1/10W	R3219		NRSA02J-103X	MG RESISTOR 10kΩ,1/10W
R2421		NRSA02J-103X	MG RESISTOR 10kΩ,1/10W	R3220		NRSA02J-562X	MG RESISTOR 5.6kΩ,1/10W
R2422		NRSA02J-103X	MG RESISTOR 10kΩ,1/10W	R3221		NRSA02J-682X	MG RESISTOR 6.8kΩ,1/10W
R2423		NRSA02J-222X	MG RESISTOR 2.2kΩ,1/10W	R3223		NRSA02J-105X	MG RESISTOR 1MΩ,1/10W
R2424		NRSA02J-102X	MG RESISTOR 1kΩ,1/10W	R3224		NRSA02J-101X	MG RESISTOR 100Ω,1/10W
R2425		NRSA02J-102X	MG RESISTOR 1kΩ,1/10W	R3225		NRSA02J-471X	MG RESISTOR 470Ω,1/10W
R2426		NRSA02J-104X	MG RESISTOR 100kΩ,1/10W	R3226		NRSA02J-103X	MG RESISTOR 10kΩ,1/10W
R2427		NRSA02J-472X	MG RESISTOR 4.7kΩ,1/10W	R3227		NRSA02J-103X	MG RESISTOR 10kΩ,1/10W
R2428		NRSA02J-222X	MG RESISTOR 2.2kΩ,1/10W	R3228		NRSA02J-681X	MG RESISTOR 680Ω,1/10W
R2429		NRSA02J-222X	MG RESISTOR 2.2kΩ,1/10W	R3229		NRSA02J-331X	MG RESISTOR 330Ω,1/10W
R2430		NRSA02J-222X	MG RESISTOR 2.2kΩ,1/10W	R3237		NRSA02J-222X	MG RESISTOR 2.2kΩ,1/10W
R2432		NRSA02J-103X	MG RESISTOR 10kΩ,1/10W	R3238		NRSA02J-222X	MG RESISTOR 2.2kΩ,1/10W
R2433		NRSA02J-103X	MG RESISTOR 10kΩ,1/10W	R4001		NRSA02J-222X	MG RESISTOR 2.2kΩ,1/10W
R2434		NRSA02J-222X	MG RESISTOR 2.2kΩ,1/10W	R4002		NRSA02J-223X	MG RESISTOR 22kΩ,1/10W
R2435		NRSA02J-102X	MG RESISTOR 1kΩ,1/10W	R4003		NRSA02J-222X	MG RESISTOR 2.2kΩ,1/10W
R2436		NRSA02J-102X	MG RESISTOR 1kΩ,1/10W	R4004		NRSA02J-0R0X	MG RESISTOR 0Ω,1/10W
R2437		NRSA02J-101X	MG RESISTOR 100Ω,1/10W	R4006		NRSA02J-472X	MG RESISTOR 4.7kΩ,1/10W
R2438		QRE141J-101Y	RESISTOR 100Ω,1/4W	R4010		NRSA02J-471X	MG RESISTOR 470Ω,1/10W
R2439		NRSA02J-103X	MG RESISTOR 10kΩ,1/10W	R4011		NRSA02J-471X	MG RESISTOR 470Ω,1/10W
R2440		NRSA02J-102X	MG RESISTOR 1kΩ,1/10W	R4012		NRSA02J-153X	MG RESISTOR 15kΩ,1/10W
R2441		NRSA02J-221X	MG RESISTOR 220Ω,1/10W	R4013		NRSA02J-0R0X	MG RESISTOR 0Ω,1/10W
R2442		NRSA02J-221X	MG RESISTOR 220Ω,1/10W	R4018		NRSA02J-103X	MG RESISTOR 10kΩ,1/10W
R2477		NRSA02J-103X	MG RESISTOR 10kΩ,1/10W	R4019		NRSA02J-102X	MG RESISTOR 1kΩ,1/10W
R2478		NRSA02J-103X	MG RESISTOR 10kΩ,1/10W	R4020		NRSA02J-102X	MG RESISTOR 1kΩ,1/10W
R2480		NRSA02J-105X	MG RESISTOR 1MΩ,1/10W	R4021		NRSA02J-103X	MG RESISTOR 10kΩ,1/10W
R2481		NRSA02J-472X	MG RESISTOR 4.7kΩ,1/10W	R4022		NRSA02J-472X	MG RESISTOR 4.7kΩ,1/10W
R2482		NRSA02J-103X	MG RESISTOR 10kΩ,1/10W	R4024		NRSA02J-103X	MG RESISTOR 10kΩ,1/10W
R2483		NRSA02J-153X	MG RESISTOR 15kΩ,1/10W	R4025		NRSA02J-472X	MG RESISTOR 4.7kΩ,1/10W
R2485		NRSA02J-104X	MG RESISTOR 100kΩ,1/10W	R5101		QRE141J-224Y	RESISTOR 220kΩ,1/4W
R2486		NRSA02J-123X	MG RESISTOR 12kΩ,1/10W	R5102		QRE141J-224Y	RESISTOR 220kΩ,1/4W
R2487		NRSA02J-473X	MG RESISTOR 47kΩ,1/10W	R5103		QRE141J-683Y	RESISTOR 68kΩ,1/4W
R2488		NRSA02J-473X	MG RESISTOR 47kΩ,1/10W	R5104		QRG02GJ-683	OMF RESISTOR 68kΩ,2W
R2489		NRSA02J-474X	MG RESISTOR 470kΩ,1/10W	R5106		QRT01DJ-R39X	MF RESISTOR 0.39Ω,1W
R2603		NRSA02J-101X	MG RESISTOR 100Ω,1/10W	R5107		QRE121J-331Y	RESISTOR 330Ω,1/2W
R3001		NRSA02J-0R0X	MG RESISTOR 0Ω,1/10W	R5108		NRSA02J-681X	MG RESISTOR 680Ω,1/10W
R3002		NRSA02J-0R0X	MG RESISTOR 0Ω,1/10W	R5109		QRE141J-681Y	RESISTOR 680Ω,1/4W
R3005		NRSA02J-0R0X	MG RESISTOR 0Ω,1/10W	R5110		NRSA02J-224X	MG RESISTOR 220kΩ,1/10W
R3017		NRSA02J-0R0X	MG RESISTOR 0Ω,1/10W	R5111		NRSA02J-561X	MG RESISTOR 560Ω,1/10W
R3018		NRSA02J-0R0X	MG RESISTOR 0Ω,1/10W	R5112		NRSA02J-221X	MG RESISTOR 220Ω,1/10W
R3031		NRSA02J-223X	MG RESISTOR 22kΩ,1/10W	R5302		NRSA02J-152X	MG RESISTOR 1.5kΩ,1/10W
R3032		NRSA02J-223X	MG RESISTOR 22kΩ,1/10W	R5303		NRSA02J-122X	MG RESISTOR 1.2kΩ,1/10W
R3035		NRSA02J-0R0X	MG RESISTOR 0Ω,1/10W	R5304		NRSA02J-471X	MG RESISTOR 470Ω,1/10W
R3056		NRSA02J-0R0X	MG RESISTOR 0Ω,1/10W	R5305		NRSA02J-102X	MG RESISTOR 1kΩ,1/10W

#	△	REF No.	PART No.	PART NAME, DESCRIPTION	#	△	REF No.	PART No.	PART NAME, DESCRIPTION
R5306			NRSA02J-471X	MG RESISTOR	C30		QEKJ1HM-474	E CAPACITOR	0.47μF,50V
R5308			NRSA02J-471X	MG RESISTOR	C31		QEKJ0JM-476	E CAPACITOR	47μF,6.3V
R5309			NRSA02J-103X	MG RESISTOR	C32		NCB21HK-103X	CAPACITOR	0.01μF,50V
R5310			NRSA02J-471X	MG RESISTOR	C33		QEKJ1HM-225	E CAPACITOR	2.2μF,50V
R5311			NRSA02J-473X	MG RESISTOR	C34		NCB21EK-224X	CAPACITOR	0.22μF,25V
R5312			NRVA02D-302X	CMF RESISTOR	C35		NCB21EK-103X	CAPACITOR	0.01μF,25V
R5313			NRVA02D-222X	CMF RESISTOR	C36		QEKJ1EM-475	E CAPACITOR	4.7μF,25V
R5314			NRSA02J-222X	MG RESISTOR	C37		QEKJ1EM-475	E CAPACITOR	4.7μF,25V
△ R5317			QRZ9006-4R7X	FUSI RESISTOR	C38		QEKJ0JM-476	E CAPACITOR	47μF,6.3V
R5318			QRE141J-271Y	RESISTOR	C39		NCB21EK-104X	CAPACITOR	0.1μF,25V
R5333			QRL02DJ-391X	OMF RESISTOR	C40		QEKJ1CM-106	E CAPACITOR	10μF,16V
R5334			QRL02DJ-391X	OMF RESISTOR	C54		NCB21HK-103X	CAPACITOR	0.01μF,50V
R6050			NRSA02J-0R0X	MG RESISTOR	C62		NCB21EK-104X	CAPACITOR	0.1μF,25V
R6051			NRSA02J-101X	MG RESISTOR	C64		NDC21HJ-220X	CAPACITOR	22pF,50V
R6053			NRSA02J-101X	MG RESISTOR	C65		QEKJ1HM-105	E CAPACITOR	1μF,50V
R6054			NRSA02J-152X	MG RESISTOR	C69		NCB21HK-103X	CAPACITOR	0.01μF,50V
R6055			NRSA02J-103X	MG RESISTOR	C70		NCB21HK-103X	CAPACITOR	0.01μF,50V
R7010			NRSA02J-0R0X	MG RESISTOR	C81		NCB21HK-103X	CAPACITOR	0.01μF,50V
R7011			NRSA02J-0R0X	MG RESISTOR	C106		NCB21HK-821X	CAPACITOR	820pF,50V
R7020			NRSA02J-103X	MG RESISTOR	C108		NDC21HJ-221X	CAPACITOR	220pF,50V
R7021			NRSA02J-122X	MG RESISTOR	C109		NCB21EK-224X	CAPACITOR	0.22μF,25V
R7022			NRSA02J-182X	MG RESISTOR	C110		NDC21HJ-820X	CAPACITOR	82pF,50V
R7023			NRSA02J-222X	MG RESISTOR	C201		QERF0JM-476	E CAPACITOR	47μF,6.3V
R7024			NRSA02J-272X	MG RESISTOR	C202		NCB21EK-104X	CAPACITOR	0.1μF,25V
R7025			NRSA02J-472X	MG RESISTOR	C203		QEKJ1HM-105	E CAPACITOR	1μF,50V
R7030			NRSA02J-103X	MG RESISTOR	C205		NDC21HJ-101X	CAPACITOR	100pF,50V
R7031			NRSA02J-122X	MG RESISTOR	C207		NCF21CZ-105X	CAPACITOR	1μF,16V
R7032			NRSA02J-182X	MG RESISTOR	C209		NCB21HK-103X	CAPACITOR	0.01μF,50V
R7033			NRSA02J-222X	MG RESISTOR	C210		NCB21HK-222X	CAPACITOR	0.0022μF,50V
R7034			NRSA02J-272X	MG RESISTOR	C211		NCB21HK-103X	CAPACITOR	0.01μF,50V
R7035			NRSA02J-472X	MG RESISTOR	C212		NDC21HJ-271X	CAPACITOR	270pF,50V
R7036			NRSA02J-682X	MG RESISTOR	C901		QETN0JM-477	E CAPACITOR	470μF,6.3V
R7037			NRSA02J-473X	MG RESISTOR	C903		QEKJ1CM-476	E CAPACITOR	47μF,16V
C1			NCB21HK-103X	CAPACITOR	C904		NCB21EK-104X	CAPACITOR	0.1μF,25V
C2			NCB21HK-103X	CAPACITOR	C2001		QEKJ1EM-475	E CAPACITOR	4.7μF,25V
C3			NCB21HK-103X	CAPACITOR	C2002		QEKJ1CM-106	E CAPACITOR	10μF,16V
C4			NCB21HK-103X	CAPACITOR	C2003		QEKJ0JM-476	E CAPACITOR	47μF,6.3V
C5			QEKJ1CM-476	E CAPACITOR	C2005		QEKJ1EM-475	E CAPACITOR	4.7μF,25V
C6			NCB11EK-104X	CAPACITOR	C2006		NCB21HK-123X	CAPACITOR	0.012μF,50V
C7			NCB21HK-471X	CAPACITOR	C2007		QEKJ1CM-226	E CAPACITOR	22μF,16V
C8			NCB21EK-104X	CAPACITOR	C2008		QEKJ1EM-475	E CAPACITOR	4.7μF,25V
C9			NCB21HK-103X	CAPACITOR	C2009		NCB21HK-102X	CAPACITOR	0.001μF,50V
C10			NDC21HJ-151X	CAPACITOR	C2010		NCB21HK-152X	CAPACITOR	0.0015μF,50V
C11			NCB21EK-104X	CAPACITOR	C2011		QEKJ1EM-475	E CAPACITOR	4.7μF,25V
C12			NDC21HJ-470X	CAPACITOR	C2012		QEKJ1EM-475	E CAPACITOR	4.7μF,25V
C13			NCB21HK-103X	CAPACITOR	C2051		QCBB1HJ-331	CAPACITOR	330pF,50V
C14			NCB21EK-104X	CAPACITOR	C2052		QFV91HJ-823	F CAPACITOR	0.082μF,50V
C15			NCB21HK-103X	CAPACITOR	C2053		NCB21HK-472X	CAPACITOR	0.0047μF,50V
C16			NCB21EK-104X	CAPACITOR	C2054		NCB21HK-223X	CAPACITOR	0.022μF,50V
C17			QEKJ1HM-335	E CAPACITOR	C2055		QEKJ1CM-106	E CAPACITOR	10μF,16V
C18			QEKJ1HM-105	E CAPACITOR	C2201		NCB21EK-104X	CAPACITOR	0.1μF,25V
C19			QEKJ1HM-225	E CAPACITOR	C2202		NCB21EK-333X	CAPACITOR	0.033μF,25V
C21			NCB21EK-104X	CAPACITOR	C2203		QEKJ1CM-106	E CAPACITOR	10μF,16V
C22			QEKJ0JM-476	E CAPACITOR	C2204		NCB21HK-102X	CAPACITOR	0.001μF,50V
C23			NCB21EK-104X	CAPACITOR	C2205		QEKJ1EM-475	E CAPACITOR	4.7μF,25V
C24			NCB21EK-104X	CAPACITOR	C2207		QEKJ1CM-476	E CAPACITOR	47μF,16V
C25			NDC21HJ-4R0X	CAPACITOR	C2208		QEKJ1EM-475	E CAPACITOR	4.7μF,25V
C26			NCB21EK-104X	CAPACITOR	C2215		QEKJ1EM-475	E CAPACITOR	4.7μF,25V
C27			NCB21HK-223X	CAPACITOR	C2217		QEKJ1CM-106	E CAPACITOR	10μF,16V
C28			QEKJ1HM-335	E CAPACITOR	C2219		QEKJ1CM-106	E CAPACITOR	10μF,16V
C29			NCB21EK-333X	CAPACITOR	C2220		QEKJ1EM-475	E CAPACITOR	4.7μF,25V

#	△ REF No.	PART No.	PART NAME, DESCRIPTION	#	△ REF No.	PART No.	PART NAME, DESCRIPTION	
C2221		NCB21HK-103X	CAPACITOR	0.01μF,50V	C3049	NCB21HK-103X	CAPACITOR	0.01μF,50V
C2222		QEKJ1HM-474	E CAPACITOR	0.47μF,50V	C3052	NCB21HK-103X	CAPACITOR	0.01μF,50V
C2223		QEKJ1HM-474	E CAPACITOR	0.47μF,50V	C3053	QDYB1CM-103Y	CAPACITOR	0.01μF,16V
C2224		NCB21HK-103X	CAPACITOR	0.01μF,50V	C3055	QEKJ0JM-476	E CAPACITOR	47μF,6.3V
C2225		QEKJ1EM-475	E CAPACITOR	4.7μF,25V	C4001	NCB21EK-104X	CAPACITOR	0.1μF,25V
C2226		QEKJ1CM-106	E CAPACITOR	10μF,16V	C4002	QEKJ1HM-224	E CAPACITOR	0.22μF,50V
C2227		NCB21EK-104X	CAPACITOR	0.1μF,25V	C4004	QERF0JM-336	E CAPACITOR	33μF,6.3V
C2251		QEKCOJM-476	E CAPACITOR	47μF,6.3V	C4006	NCB21EK-563X	CAPACITOR	0.056μF,25V
C2252		NCB21HK-103X	CAPACITOR	0.01μF,50V	C4007	NCB21HK-103X	CAPACITOR	0.01μF,50V
C2253		NCB21EK-104X	CAPACITOR	0.1μF,25V	C4008	QERF0JM-476	E CAPACITOR	47μF,6.3V
C2254		NCB21EK-104X	CAPACITOR	0.1μF,25V	C4009	NCB21HK-102X	CAPACITOR	0.001μF,50V
C2255		NDC21HJ-181X	CAPACITOR	180pF,50V	C4010	QERF0JM-476	E CAPACITOR	47μF,6.3V
C2301		NCB21HK-102X	CAPACITOR	0.001μF,50V	C4011	NCB21CK-224X	CAPACITOR	0.22μF,16V
C2302		NCB21HK-102X	CAPACITOR	0.001μF,50V	C4012	NDC21HJ-471X	CAPACITOR	470pF,50V
C2303		QEKJ1HM-225	E CAPACITOR	2.2μF,50V	C4014	NDC21HJ-101X	CAPACITOR	100pF,50V
C2304		QEKJ1HM-225	E CAPACITOR	2.2μF,50V	C4015	NDC21HJ-101X	CAPACITOR	100pF,50V
C2305		QEKJ1CM-476	E CAPACITOR	47μF,16V	C4016	QEKJ0JM-476	E CAPACITOR	47μF,6.3V
C2306		QEKJ1HM-225	E CAPACITOR	2.2μF,50V	C4017	NCB21HJ-103X	CAPACITOR	0.01μF,50V
C2401		QEKJ1HM-225	E CAPACITOR	2.2μF,50V	C4019	NCB21EK-104X	CAPACITOR	0.1μF,25V
C2402		QEKJ1CM-476	E CAPACITOR	47μF,16V	C4022	NDC21HJ-101X	CAPACITOR	100pF,50V
C2403		NCB21HK-103X	CAPACITOR	0.01μF,50V	△ C5001	QFZ9073-683	F CAPACITOR	0.068μF,125V
C2404		QEKJ1CM-226	E CAPACITOR	22μF,16V	△ C5004	QCZ9071-222	CAPACITOR	0.0022μF,250V
C2405		NDC21HJ-121X	CAPACITOR	120pF,50V	C5006	QETM2GM-476	E CAPACITOR	47μF,400V
C2406		QEKJ1CM-226	E CAPACITOR	22μF,16V	C5101	QCZ0212-472	CAPACITOR	0.0047μF,1kV
C2407		QEKJ1CM-476	E CAPACITOR	47μF,16V	C5102	QCZ0302-330Z	CAPACITOR	33pF,1kV
C2408		NCB21HK-103X	CAPACITOR	0.01μF,50V	C5104	QEKJ1HM-105	E CAPACITOR	1μF,50V
C2409		NCB21HK-472X	CAPACITOR	0.0047μF,50V	C5105	QFN31HJ-183	F CAPACITOR	0.018μF,50V
C2410		NCB21HK-103X	CAPACITOR	0.01μF,50V	C5106	QCB1HJ-271	CAPACITOR	270pF,50V
C2411		QEKJ1HM-225	E CAPACITOR	2.2μF,50V	C5107	QFV91HJ-104	F CAPACITOR	0.1μF,50V
C2412		QEKJ1CM-226	E CAPACITOR	22μF,16V	C5202	QETN1CM-108	E CAPACITOR	1000μF,16V
C2413		NCB21HK-103X	CAPACITOR	0.01μF,50V	C5203	QETN1AM-108	E CAPACITOR	1000μF,10V
C2414		QEKJ1HM-474	E CAPACITOR	0.47μF,50V	C5204	QETN2AM-475	E CAPACITOR	4.7μF,100V
C2415		NCB21EK-333X	CAPACITOR	0.033μF,25V	C5205	QEKJ1HM-106	E CAPACITOR	10μF,50V
C2416		NCB21HK-682X	CAPACITOR	0.0068μF,50V	C5206	QETN1AM-107	E CAPACITOR	100μF,10V
C2418		NCF21EZ-104X	CAPACITOR	0.1μF,25V	C5207	QETN1CM-107	E CAPACITOR	100μF,16V
C2422		QEKJ1CM-476	E CAPACITOR	47μF,16V	C5301	QEKJ1CM-107	E CAPACITOR	100μF,16V
C2423		QEKJ1CM-476	E CAPACITOR	47μF,16V	C5302	QEKJ1HM-106	E CAPACITOR	10μF,50V
C2424		QEKJ1HM-225	E CAPACITOR	2.2μF,50V	C5303	QEKJ1CM-107	E CAPACITOR	100μF,16V
C2425		QEKJ1CM-476	E CAPACITOR	47μF,16V	C5304	QFLC1HJ-102Z	F CAPACITOR	0.001μF,50V
C2426		QEKJ1CM-476	E CAPACITOR	47μF,16V	C5305	QFV91HJ-224	F CAPACITOR	0.22μF,50V
C2427		QEKJ1CM-476	E CAPACITOR	47μF,16V	C6052	NCB21EK-473X	CAPACITOR	0.047μF,25V
C2428		QEKJ1CM-106	E CAPACITOR	10μF,16V	C7011	QEKJ1CM-476	E CAPACITOR	47μF,16V
C2476		QEKJ0JM-476	E CAPACITOR	47μF,6.3V	L1	QQL342J-100Z	COIL	10μH
C2477		NCB21EK-104X	CAPACITOR	0.1μF,25V	L3	QQL342J-100Z	COIL	10μH
C2478		NCB21HK-103X	CAPACITOR	0.01μF,50V	L4	QQL342J-100Z	COIL	10μH
C3001		NCB21EK-104X	CAPACITOR	0.1μF,25V	L5	QQL342J-100Z	COIL	10μH
C3002		NCB21HK-103X	CAPACITOR	0.01μF,50V	L11	QQL01BJ-120Z	COIL	12μH
C3003		QEKJ1CM-106	E CAPACITOR	10μF,16V	L13	QQL231J-330Y	COIL	33μH
C3015		NCB21HK-222X	CAPACITOR	0.0022μF,50V	L24	QQL231J-270Y	COIL	27μH
C3016		NDC21HJ-220X	CAPACITOR	22pF,50V	L27	QQL231J-330Y	COIL	33μH
C3017		NDC21HJ-220X	CAPACITOR	22pF,50V	L28	QQL231J-680Y	COIL	68μH
C3023		NCB21HK-103X	CAPACITOR	0.01μF,50V	L201	QQL29BJ-100Z	COIL	10μH
C3033		NCB21EK-104X	CAPACITOR	0.1μF,25V	L203	QQL231J-4R7Y	COIL	4.7μH
C3034		NCB21EK-104X	CAPACITOR	0.1μF,25V	L901	QQL29BJ-100Z	COIL	10μH
C3035		NCB21EK-104X	CAPACITOR	0.1μF,25V	L2251	QQL29BJ-100Z	COIL	10μH
C3036		QEKJ0JM-476	E CAPACITOR	47μF,6.3V	L2252	QQL29BJ-151Z	COIL	150μH
C3041		NDC21HJ-101X	CAPACITOR	100pF,50V	L5201	PELN1184	COIL	33μH
C3042		NDC21HJ-101X	CAPACITOR	100pF,50V	L5202	PELN1184	COIL	33μH
C3043		QCB1HJ-101	CAPACITOR	100pF,50V	L6050	QQL29BJ-100Z	COIL	10μH
C3045		QCB1HJ-101	CAPACITOR	100pF,50V	X1	QAX0576-001	CRYSTAL RESONATOR	
C3047		QEKJ1HM-475	E CAPACITOR	4.7μF,50V	X2	QAX0575-001	CRYSTAL RESONATOR	

#	△	REF No.	PART No.	PART NAME, DESCRIPTION	#	△	REF No.	PART No.	PART NAME, DESCRIPTION
		X3001	QAX0526-001Z	CRYSTAL RESONATOR					
		S3001	QSW0602-004	PUSH SWITCH,REC SAFETY					
		S7001	QSW0456-001Z	TACT SWITCH,POWER					
		S7008	QSW0456-002Z	TACT SWITCH,ON/ENTER					
		S7010	QSW0456-002Z	TACT SWITCH,REC					
		S7011	QSW0456-002Z	TACT SWITCH,REW					
		S7012	QSW0456-002Z	TACT SWITCH,STOP/EJECT					
		S7013	QSW0456-002Z	TACT SWITCH,PLAY					
		S7014	QSW0456-002Z	TACT SWITCH,SP/EP					
		S7015	QSW0456-002Z	TACT SWITCH,FF					
		K2251	NRSA02J-0R0X	MG RESISTOR					0Ω,1/10W
		K2252	NRSA02J-0R0X	MG RESISTOR					0Ω,1/10W
		K2253	NRSA02J-0R0X	MG RESISTOR					0Ω,1/10W
		K5101	QQR0678-001Z	FERRITE BEAD					
		PC3001	GP3S123	IC(PHOTO SENSOR)					
		PC3002	GP3S123	IC(PHOTO SENSOR)					
	△	PC5101	PC123F2	PH COUPLER					
		T2051	PELN0832	OSC TRANSFORMER					
	△	T5001	QQS0083-001	SW TRANSFORMER					
		ET1	PQ46463-1-1	EARTH PLATE					
		HS1	LP40090-001A	HEAT SINK,Q5101					
		TB1	LP20975-002A	TERMINAL BOARD					
		TU6001	QAU0179-001	RF CONVERTER					
		SD1	LP30644-001A	SHIELD CASE(PRE)					
		OT1	QYSDST3006Z	SCREW					
		OT2	QYTDST3006Z	SCREW,Q5101					
		OT3	LP40702-001A	STICKER(SPACER)					
		J1	QNN0285-002	PIN JACK,A/V IN					
		J2	QNN0286-002	PIN JACK,A/V OUT					
		FC5001	QNG0006-001Z	FUSE CLIP,F5001					
		FC5002	QNG0006-001Z	FUSE CLIP,F5001					
		J2301	PEMC1182	MIC JACK					
		J2302	PEMC1182	MIC JACK					
	△	LF5002	QQR0532-001	LINE FILTER					
		CN1	QGF1028C1-11	FPC CONNECTOR,(1-11)U.DRUM					
		CN2001	QGF1207C1-07	FPC CONNECTOR(1-7)A/C HEAD					
		CN2002	QGB2532J1-02	CONNECTOR,(1-2)FE HEAD					
		CN3001	QGB2015M2-08	CONNECTOR,(1-8)CAPSTAN MOTOR					
		CN3002	QGF1207C1-05	FPC CONNECTOR,(1-5)DRUM MDA					
		CN3003	QGB2532J1-02	CONNECTOR,(1-2)LOADING MOTOR					
		CN3004	QGB2534J2-04	CONNECTOR,(1-4)ROTARY ENCODER					
	△	CN5001	QGA7901C3-02	CONNECTOR,(1-2)AC IN					
		CN7001	QGB2530J1-03	CONNECTOR,(1-3)LED BOARD					
	△	CP4001	ICP-N25	CIRCUIT PROTECTOR					
	△	CP5302	ICP-N25	CIRCUIT PROTECTOR					
	△	F5001	QMF51E2-2R0J1	FUSE					T2.0A,AC250V